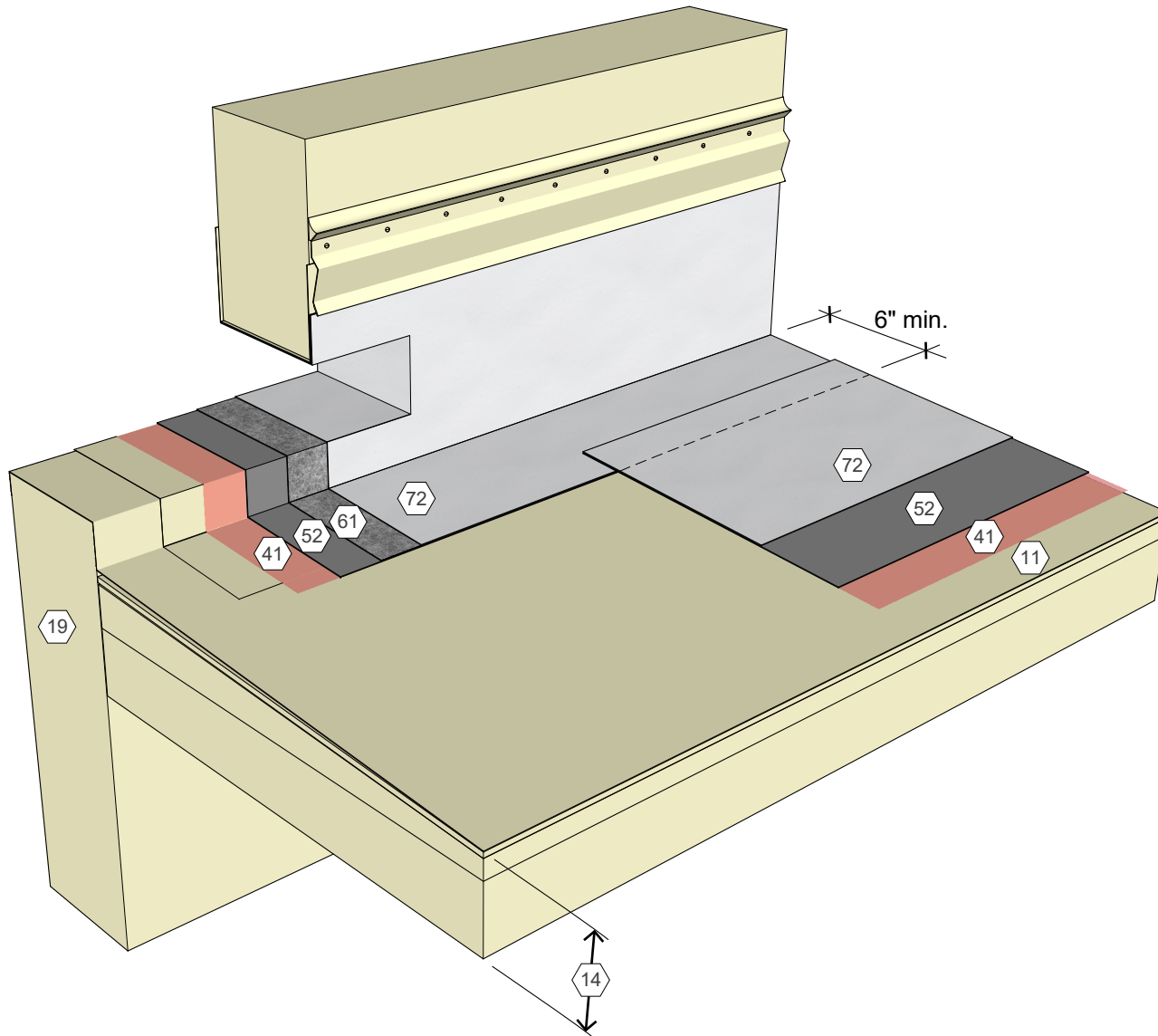


KEY NOTES

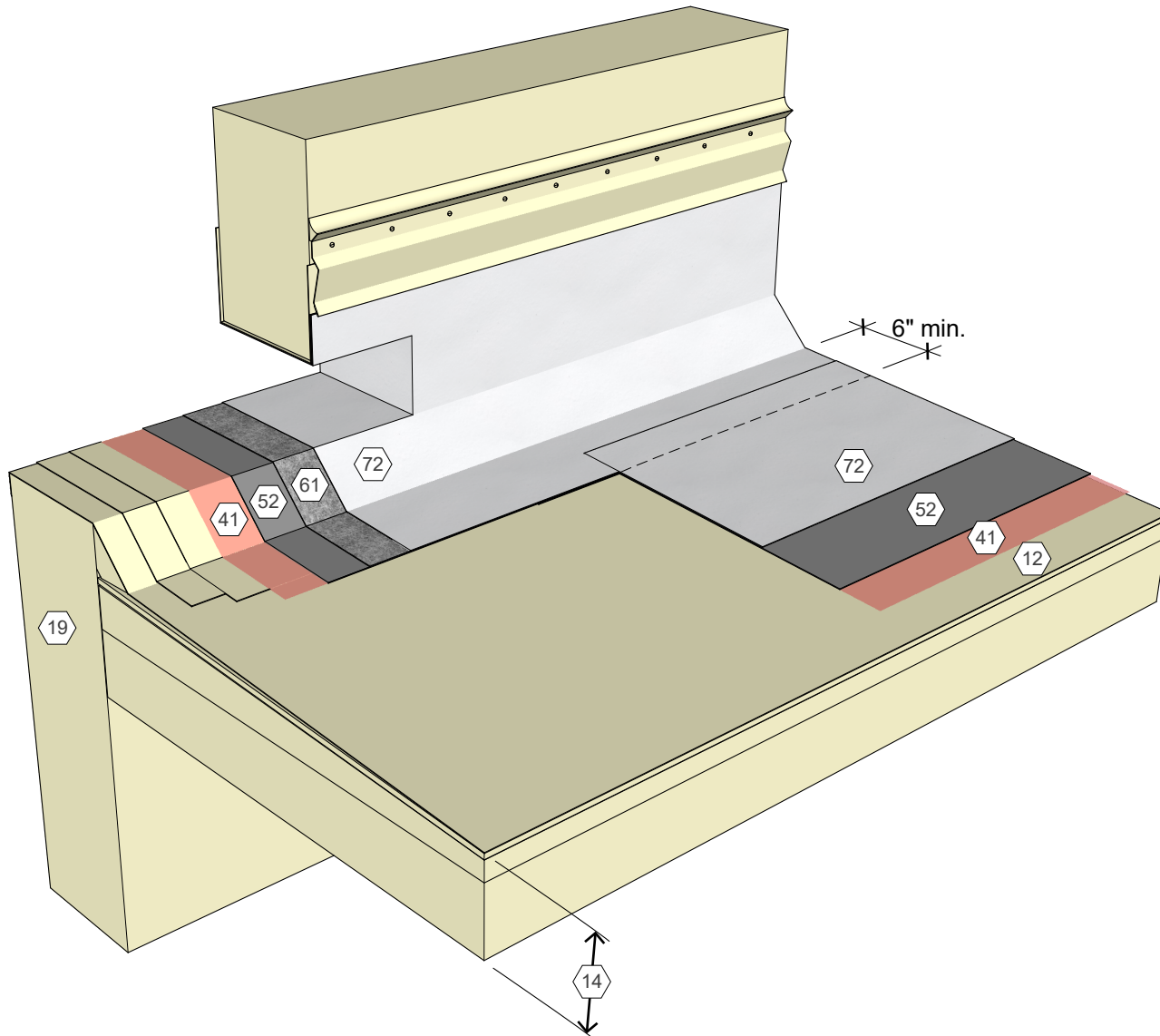
- 11 Existing Existing Single-Ply Membrane
- 14 Existing Structural Deck and Insulation Assembly
- 19 Existing Wall Assembly
- 41 Approved Primer
- 52 AlphaGuard BIO Base Coat
- 61 AlphaGuard Glass Mat or Permafab
- 72 AlphaGuard BIO Top Coat



AlphaGuard® BIO NR Restoration Detail, Single-Ply, Overflow Scupper
Detail 15241

KEY NOTES

- ⑫ Existing MB or Smooth BUR
- ⑭ Existing Structural Deck and Insulation Assembly
- ⑲ Existing Wall Assembly
- ④① Approved Primer
- ⑤② AlphaGuard BIO Base Coat
- ⑥① AlphaGuard Glass Mat or Permafab
- ⑦② AlphaGuard BIO Top Coat



AlphaGuard® BIO NR Restoration Detail, MB or Smooth BUR, Overflow Scupper
Detail 15242